

Product datasheet

Specifications



RS485+PCMCIA communication module - 2 twisted shielded pairs cable - 28 devices

TSXSCY21601

! To be discontinued on: 31 December 2026

! To be end-of-service on: 31 December 2026

! Discontinued - Service only

Main

Range of product	Modicon Premium Automation platform
Product or component type	Communication module
Software designation	Unity Pro
Structure type	Heterogeneous industrial bus

Complementary

Product compatibility	Premium Atrium
Method of access	Master/slave type
Integrated connection type	1 serial link: 1 SUB-D 25 connector 1 slot for PCMCIA type III card
Communication port protocol	Multiprotocol
Communication port support	RS485 isolated
Mode of transmission	Asynchronous in baseband
Transmission frame	RTU/ASCII
Transmission rate	1.2...19.2 kbit/s
Transmission support medium	2 twisted shielded pairs cable
Number of devices	28
Number of addresses	0...97
Bus length	0...1300 m Modbus
Maximum tap links length	15 m
Requests	120 words per request 1920 bits per request
Control parameter	One CRC 16 on each frame
Monitoring function	Event counters Diagnostic counters
Modbus functions available	Event connection Modbus master 0C Event connection Modbus slave 0C Event counter Modbus master 0B Event counter Modbus slave 0B Identification Modbus slave 11 Slave identification Modbus master 11 Write n output bits Modbus slave 0F Write n output words Modbus slave 10 Diagnostic Modbus master 08

Diagnostic Modbus slave 08
 Exceptional read status Modbus master 07
 Exceptional read status Modbus slave 07
 Read input words Modbus master 04
 Read n input words Modbus slave 04
 Write 1 bits or n bits Modbus master 05
 Write 1 input word Modbus slave 06
 Write 1 output bit Modbus slave 05
 Write 1 word or n word Modbus master 06

Local signalling	1 LED for communication (CH0) 1 LED for internal fault, module failure (ERR) 1 LED for module operating (RUN)
-------------------------	---

Current consumption	350 mA at 5 V DC
----------------------------	------------------

Module format	Standard
----------------------	----------

Net weight	0.36 kg
-------------------	---------

Environment

Ambient air temperature for operation	0...60 °C
--	-----------

Ambient air temperature for storage	-25...70 °C
--	-------------

Relative humidity	5...95 % without condensation
--------------------------	-------------------------------

Operating altitude	<= 2000 m
---------------------------	-----------

Packing Units

Unit Type of Package 1	PCE
-------------------------------	-----

Number of Units in Package 1	1
-------------------------------------	---

Package 1 Height	5.5 cm
-------------------------	--------

Package 1 Width	18.0 cm
------------------------	---------

Package 1 Length	26.0 cm
-------------------------	---------

Package 1 Weight	494.0 g
-------------------------	---------

Unit Type of Package 2	S04
-------------------------------	-----

Number of Units in Package 2	12
-------------------------------------	----

Package 2 Height	30.0 cm
-------------------------	---------

Package 2 Width	40.0 cm
------------------------	---------

Package 2 Length	60.0 cm
-------------------------	---------

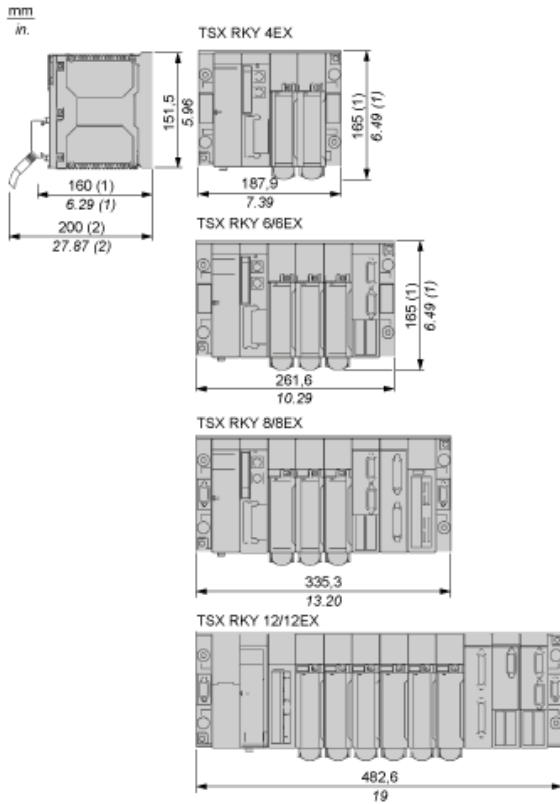
Package 2 Weight	6.875 kg
-------------------------	----------

Contractual warranty

Warranty	18 months
-----------------	-----------

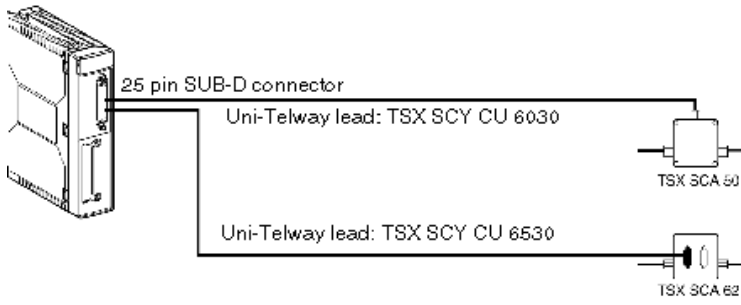
Standard and Extendable Racks for Modules Mounting

Dimensions of Modules and Racks

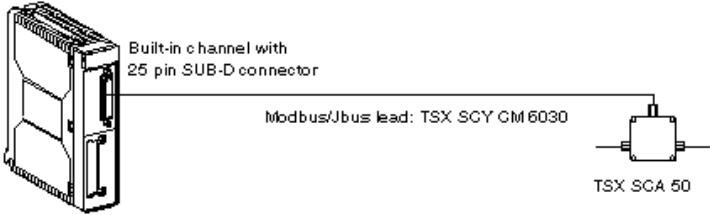


- (1) With screw terminal block modules.
- (2) Maximum depth for all types of modules and their associated connectors.

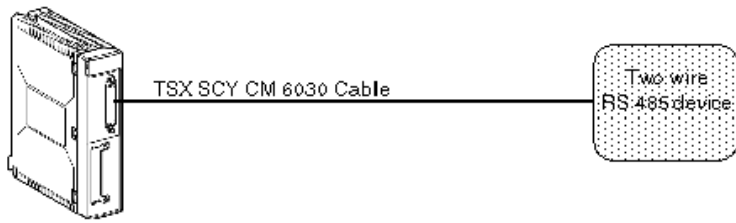
Connection of the Serial Link Communication Module to Uni-Telway Field Bus



Connection of the Serial Link Communication Module to the Modbus Field Bus



Connection of the Serial Link Communication Module in Character Mode



Recommended replacement(s)

TSXSCY21601 is replaced by:

1x



Serial link module with 2 RS-485/232 ports in Modbus and Character mode
BMXNOM0200